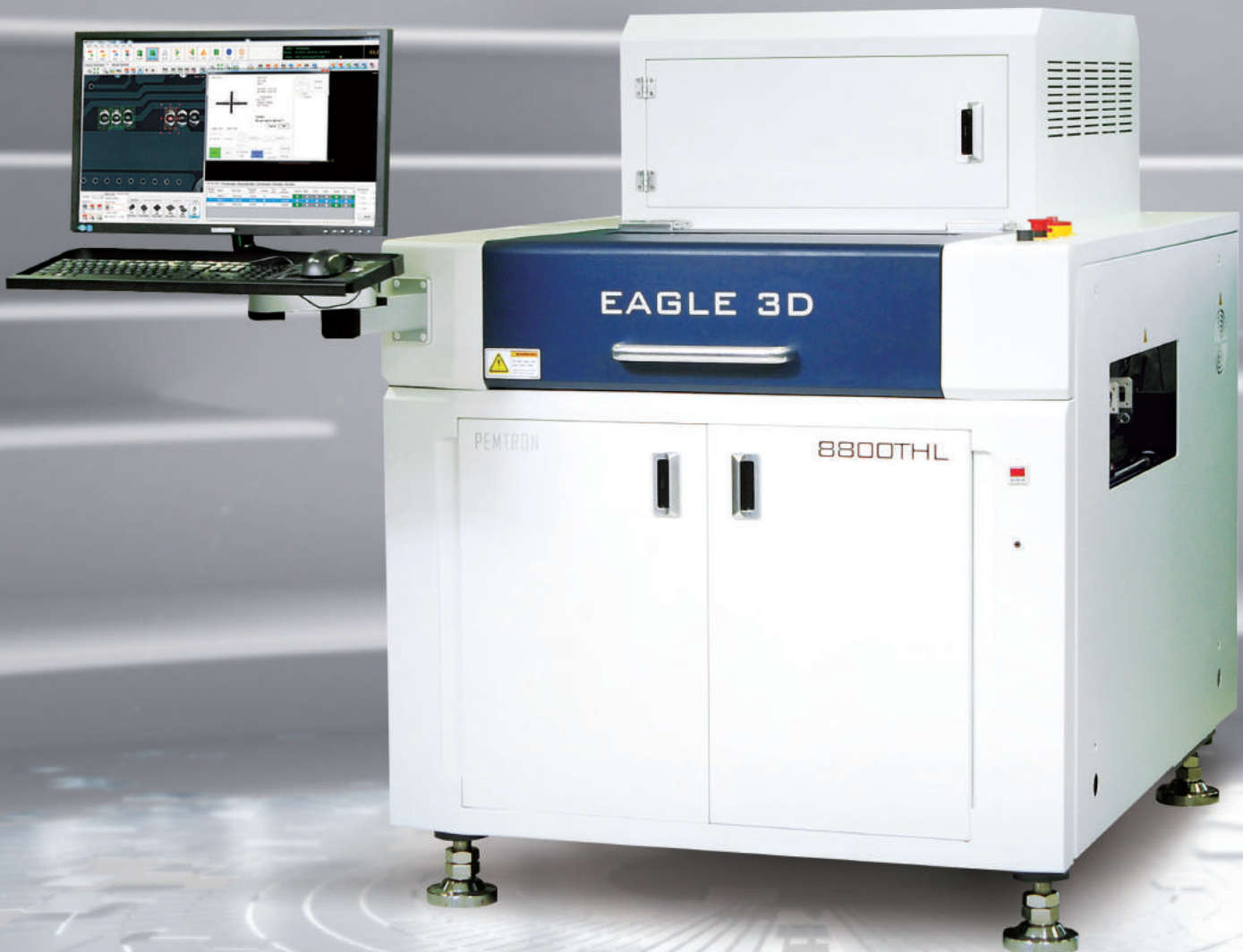


# EAGLE 3D 8800<sup>TH</sup> SERIES

Through Hole 3D AOI System  
Bottom Side Head 3D AOI



# EAGLE 3D 8800 TH SERIES

Through Hole 3D AOI System  
Bottom Side Head 3D AOI

## TECHNOLOGY AND FEATURES

The Utmost Inspection Quality and High Speed Measurement Guaranteed

### Shadowless Phase Measuring Profilometry

PEMTRON Machines inspect complete detection of PCB both in 2D and 3D.

Combining the 2 technologies, our machines offer the complete optical inspection of PCB with shadow free and low false calls. This enables system to maintain high flexibility and functionality.

#### Moir Technology



Over 20 years of integrating Phase Measuring Profilometry Technology into our system, the market has proven that PEMTRON has the most advance 3D technology available.

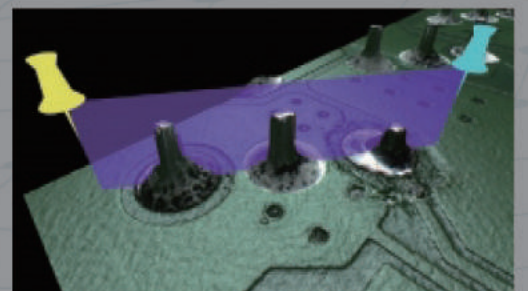
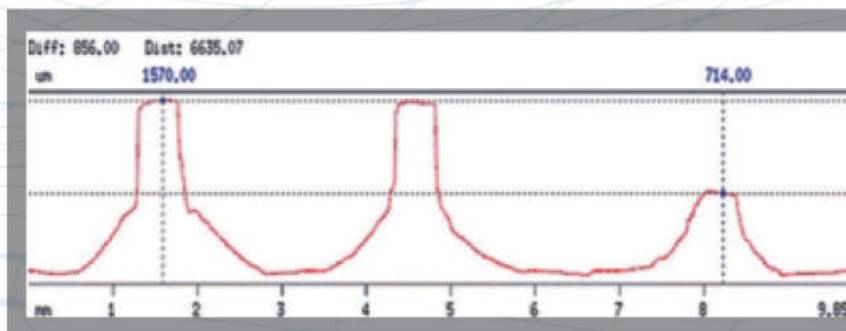
- 2D and 3D simultaneous inspection algorithms
- Telecentric Lens offers higher accuracy and detection
- High Speed CPU and Image Processing
- User Friendly Graphical Interface
- Built in Library Management System
- Offline Real Time Debug Station (Optional)

### High Speed Inspection Technology

PEMTRON inspection system has been contributing to lead the inspection industry at worldwide. By utilizing the latest technology and superior hardware, PEMTRON machines are bringing out outstanding performance with the world-class level.

## PROFILING HEIGHT OF PIN

Realistic 3D image with profiling the PIN height



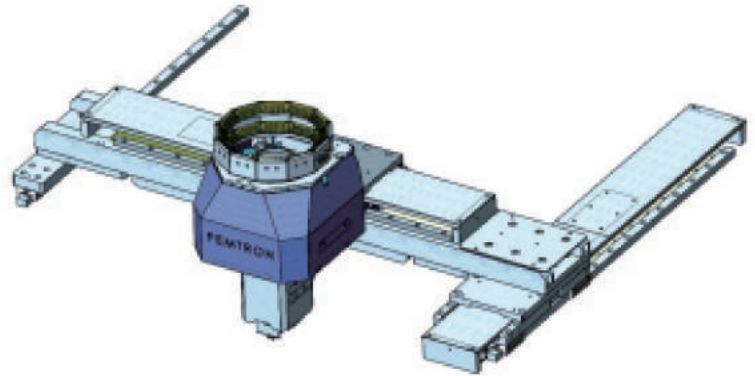
# THE WORLD'S FIRST THROUGH-HOLE 3D AOI

## BOTTOM CAMERA HEAD WITH GANTRY TYPE MOVEMENT

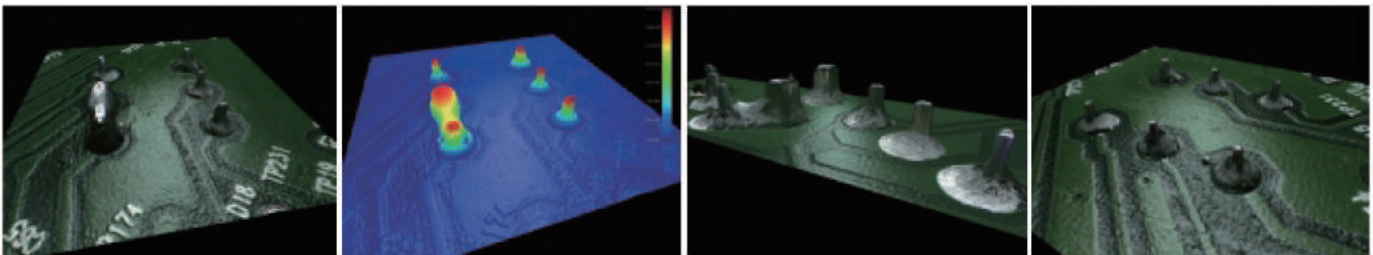
PEMTRON TH 3D AOI is the first system in the world which has bottom camera head for inline inspection.

Gantry is a type of structure which allows the movement of the camera head to shift into X/Y direction without moving the conveyor.

It provides a highly stable and precise inspection platform.



## ACCURATE DEFECT DETECTION WITH ENHANCED FULL 3D



## EASE OF PROGRAMMING (AUTO TEACH FUNCTION)

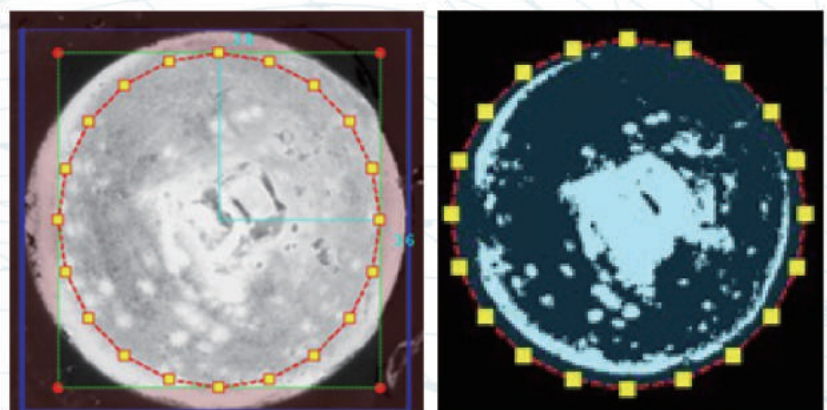
### Common Library for PIN

- User-Oriented Auto Teaching
- Advanced 3D imaging technology  
Allows us to measure and recognize the geometric shapes of PCB Components and automatically link them to build parts library



### Special Algorithm for PIN

- User can create program not only with diverse type of existing algorithms, But also has special algorithm (Please refer to the right image)
- Inspection and exclusion available



# SPECIFICATIONS

Model		Eagle3D 8800 TH / THL			
Detection Type	Polarity(THT, SMD), Offset, Angle,				
	Solder Joint (SMD, THT, ICs), Short circuit(Solder bridges), Solder Paste Inspection				
Lighting	RGB 3D Stroboscopic + Top Lighting				
Camera	10MP			12MP	
Resolution	10um	15um	18um	10um	15um
Inspection Speed	20cm/sec	45cm/sec	64cm/sec	28.34cm/sec	57.31cm/sec
FOV (Field of View)	33 x 30 mm	49 x 45 mm	59 x 54 mm	41 x 30 mm	61 x 46 mm
Height Range	0 - 5.5mm(option 27mm)				
Gantry Type	Linear Motor				
PCB Specification	Working Area	Standard	Min. 50 x50mm(2x2inch) / Max. 330 x 330mm(13x13inch)		
		Large Type	Min. 50 x50mm (2x2inch) / Max. 510 x 510mm (20x20inch)		
	PCB Thickness	0.4 ~ 7.0mm			
	Top Clearance	120mm			
Installation Requirement	Bottom Clearance (Camera)	75mm			
	Electrical Requirement	200 - 240 VAC, 50/60 Hz			
	Air Requirement	5 Kgf/ cm <sup>2</sup>			
Control Unit	Power Consumption	3.5kW(14A Max)			
	Control Method	PC Based Control (Windows 10, 64bit)			
Operating	Monitor	24" LED Panel			
	Operating Temperature	20 - 30 °C (68 - 86 °F)			
Options	Barcode Reader (1D & 2D) / Touch Panel / UPS(uninterrupted power supply)				

\* Specifications subject to change without notice.



## PEMTRON CORPORATION

#1406, (Byucksan Digital Valley VI,  
Gasam-Dong) 219, Gasan digital 1-ro,  
Geumcheon-gu, Seoul, KOREA. 08501  
Tel: +82-2-1833-5220  
Fax: +82-2-2627-3770  
sales@pemtron.com

## PEMTRON TECHNOLOGY, CORP

15111 S. Figueroa St.,  
Gardena, CA 90248  
Tel: +1-800-850-8764(TROI)  
steve.wong@pemtron.com

## PEMTRON EUROPE GmbH

Kapellenstrasse 11  
85622 Feldkirchen bei Munchen  
Tel: +49-89-877-688-42  
spark@pemtron.com,  
mvielsack@pemtron.com

## PEMTRON TECHNOLOGY MEXICO, S de RL de CV

Nicolas Bravo #3647,  
Col. Miguel de la Madrid,  
Zapopan, Jalisco, Mexico, 45239  
Tel: +52-33-2733-9111  
jaime.arreola@pemtron.com

## PEMTRON TECHNOLOGIES CO.,LTD (SUZHOU)

Rm I&J, Level 6Th, Unit 15/16, Building A,  
No.5 Xing Han Street, Suzhou, P.R CHINA  
Tel:+86-755-2165-9772  
tao@pemtron.com

## PEMTRON TECHNOLOGIES CO.,LTD (SHENZHEN)

F Zone, 4th Floor, Building 1, Baisha Industry Park,  
Nanshan District, Shenzhen, P.R China  
Tel: +86-755-2165-9772  
tao@pemtron.com

## PEMTRON TECHNOLOGIES ASIA PTE LIMITED

FLAT/RM 1704 17/F SINGGA COMMERCIAL CENTER  
144-151 CONNAUGHT ROAD WEST SAI YING PUN HK  
Tel: +852-3590-5175  
tao@pemtron.com

## PEMTRON VINA CO.,LTD

Lot A31-A32, V2 Building, Home City Apartment,  
Trung Kinh Street, Cau Giay District, Hanoi  
Tel: +84-86-584-0329  
+82-2-2160-5011  
wjink09@pemtron.com