

High voltage tester with built-in Windows OS

CIRRIS[®]
SYSTEMS



Cirris Easy Touch Pro™ high voltage cable tester

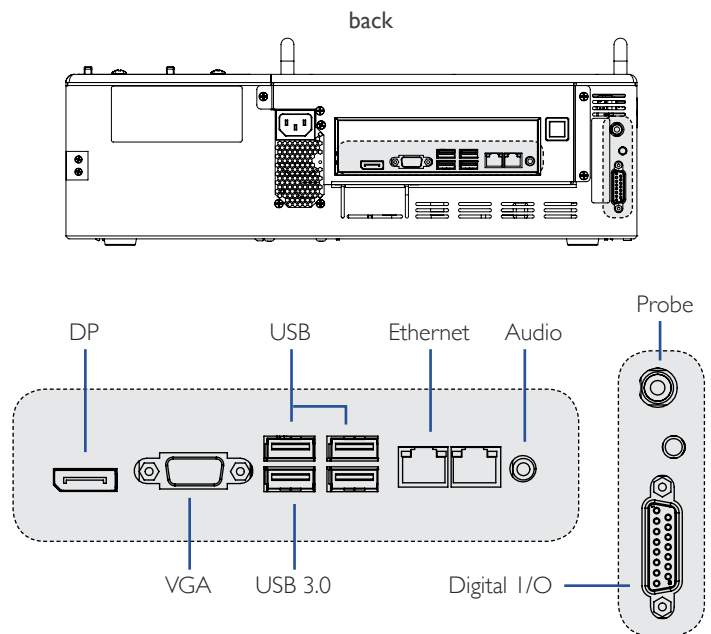
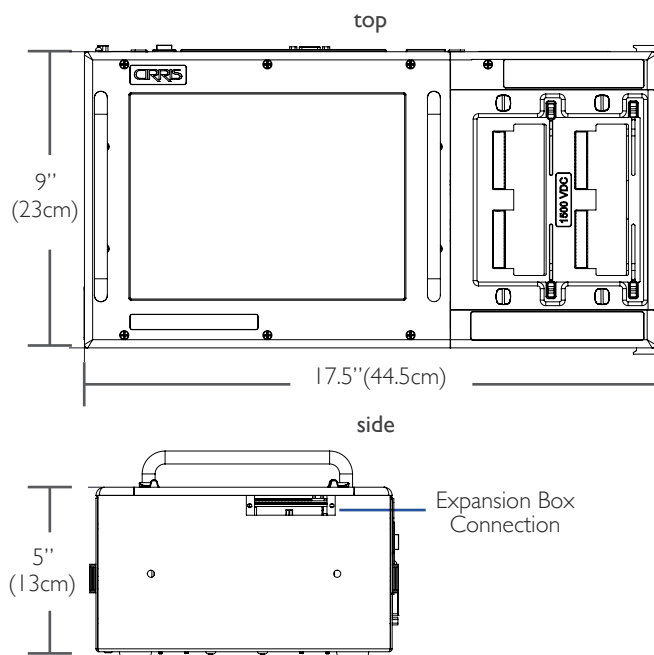
As cable and harness manufacturers, you need test systems that fit into production environments and don't require a lot of maintenance. These systems should measure and report value, and represent to customers that your quality standard is high.

The Easy Touch Pro is a self-contained high voltage cable tester designed for easy integration within your manufacturing process. Powered by a Windows® PC and Cirris easy-wire software, this tester provides a good mix of function and flexibility.

Product Features

- **Built in PC** – Integrated Windows 10 PC and 10.4" full-color, capacitive touch-screen display.
- **Windows Networking** – Share test programs, printers, and files through connecting to a windows network.
- **Self-contained** – Independent system able to move around the production floor to different test stations.
- **Powerful Reporting** – Test reports can be customized for organization and understanding.
- **Quick test setup and creation** – Cirris Adapter System provides inexpensive, interchangeable fixturing.
- **Capable of complex testing** – High voltage, components testing, and more.
- **Expandable for large assemblies** – Up to 1024 test points (128 points per box).

For more information visit www.cirris.com/easytouchpro or call 1-800-441-9910.



Easy Touch Pro Specifications

Test Points

128 points; expandable to 1,024 points in 128-point increments

Low Voltage Test

■ 2 Wire

Voltage: 4V max

Current: 3 μ A to 6 mA

Resistance: 0.1 Ω to 100 k Ω \pm 1% \pm 0.1 Ω , 100 k Ω to 5 M Ω \pm 10%

■ 4 Wire

Voltage: 4V max

Current: 1 mA to 1 A

Resistance: 0.001 Ω to 10 Ω \pm 2% \pm 0.001 Ω

Component Tests

Diodes: Silicon, LEDs, zeners with breakdown > 4V

Resistors: 0.1 Ω to 100 k Ω \pm 1% \pm 0.1 Ω , 100 k Ω to 5 M Ω \pm 10%

Capacitors: 5 nF to 100 μ F \pm 10% \pm 0.02 nF

Twisted Pairs: Verify proper pairing in twisted pair cables

High Voltage Test

■ Insulation Resistance Test

Voltage: 50 to 1500VDC \pm 5% \pm 5V (2000VDC optional)

Resistance: 5 M Ω to 1000 M Ω \pm 10%

■ Dielectric Withstand Test

Voltage: 50 to 1500VDC \pm 5% \pm 5V (2000VDC optional, 50 to 1000VAC optional)

Current Limit: 0.1 mA to 1.5 mA

Max Capacitance Per Net: 150 nF @ 300VDC, 90 nF @ 500VDC, 45 nF @ 1000VDC, 30 nF @ 1500VDC, 9.5 nF @ 1000VAC

HV Energy Limit: 35 mJ

HV Charge Limit: 45 μ C

Max Points Per Net

512

Digital Input/Output

4 Inputs / 6 Outputs, 24V Open collector; +10V and +5V each current limited to 100 mA

Test Point Interface

Cirris Adapter System

User Interface

Built-in PC with Windows 10[®]

Display: 10.4" Full-Color Graphical Touch Screen display

Power

115 / 230V 50/60 Hz

Size

Main unit: 17.5" w x 9" h x 5" d (44.5 cm x 23 cm x 13 cm)

Add-on box: 6.5" w x 9" h x 5" d (16.5 cm x 23 cm x 13 cm)

Weight

Main unit: 18 lbs (8.2 kg)

Add-on box: 6.5 lbs (2.9kg)