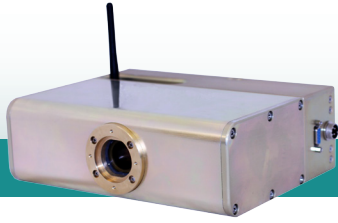


IXS1212 Portable

120 kV, 120 W



Applications

Non-Destructive Testing, Security, General X-ray Operations

Key Features

- Battery Operated
- Integrated High Voltage Generator, X-ray Tube, Control Electronics, and Exchangeable Lithium Battery Pack
- Radiation Shielded
- Wifi, and Ethernet or RS232
- Accessories: Tripod Mount, Protective Cover, and Carrying Handle

Input Line Range	24VDC \pm 10%, or 24V LiFePO4 Battery Pack
Output kV	30–120 kV
Output mA	0.2–1.0 mA
Battery Power	Continuous: 14min @120W Pulsing: 21min, 15sec On/15sec Off
Battery Charging Time	2 hours from low line (21V)
Voltage Regulation	Load: < 0.2% for mA changes over specified range (with constant ambient temperature and line input.) Line: < 0.2% for Line Input changes over specified range (with constant ambient temperature and load).
Current Regulation	Load:< 0.5% for mA changes over specified kV range (with constant ambient temperature and line input). Line: < 0.5% for Line Input changes over specified range (with constant ambient temperature and load).
Ripple	kV: < \pm 0.5% rms of maximum output mA: < \pm 0.5% rms of maximum output
Repeatability	kV: <0.5% mA: <0.5%
Overshoot	kV: <5% of rated output
Output Rise Time	Standard Rise Time \leq 0.5 Sec. to within 1% of programmed kV

Portable X-Ray Source



Generator shown with protective cover and handle

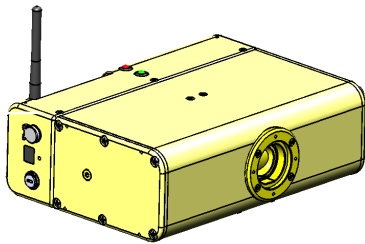
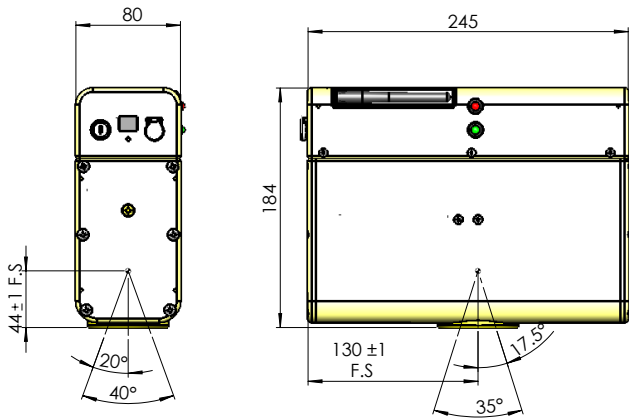


Generator shown mounted on tripod

Cooling	Air Cooled
Radiation Shield	<6mR/hr at 5cm from the surface with beam port blocked.
Safety and Regulatory	Designed to meet CE, and IEC/EN61010-1
Dimensions	Generator: 245mm x 80mm x 184mm
Weight	5.9 kg (Generator only)
X-ray Tube	
X-ray Tube Type	Glass
X-ray Focal Spot Size	0.5 mm as per IEC60336
Beam Port	Cone beam: 35°
Operating Environment	
Operating Temperature	-20°C to 50°C
Storage Temperature	-30°C to 80°C
Thermal Cut Off	60°C \pm 3°C of oil temperature
Humidity	98% non-condensing
IP Rating	IP60

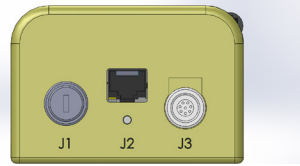


Generator



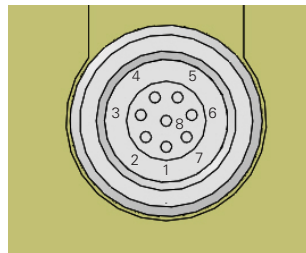
Unit: mm

Connectors



J1	Safety Key Lock
J2	RJ45 Connector (Ethernet or RS232)
J3	Input Power and Battery Charger

INPUT POWER CONNECTOR

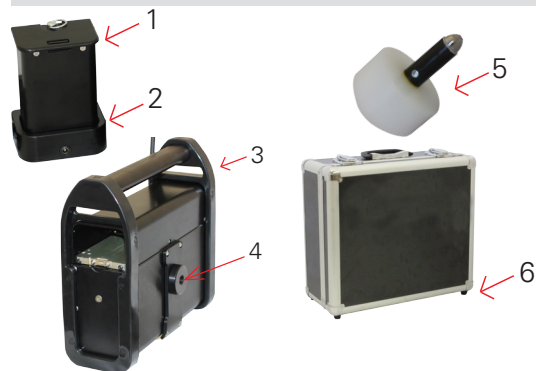


Pin Out	Name
1	24VDC Return
2	24VDC/10A External Power Supply
3	Auxiliary Power 24VDC/2W
4	24VDC Battery Charger
5	Battery Charger Return
6	Auxiliary Return
7	Interlock Out
8	Interlock In

Graphical User Interface



Accessories



Item	Part Number	Description
1	AS3001-288M	Battery pack(inc. 24V LiFeO ₄ battery)
2	AS3001-300M	Charging Station
3	DS3000-041M	Protective Cover and Handle
4	DB3000-122M	Tripod Mount
5	DS3000-106	Laser Alignment Guide
6	JP3000-019	Carrying Case

